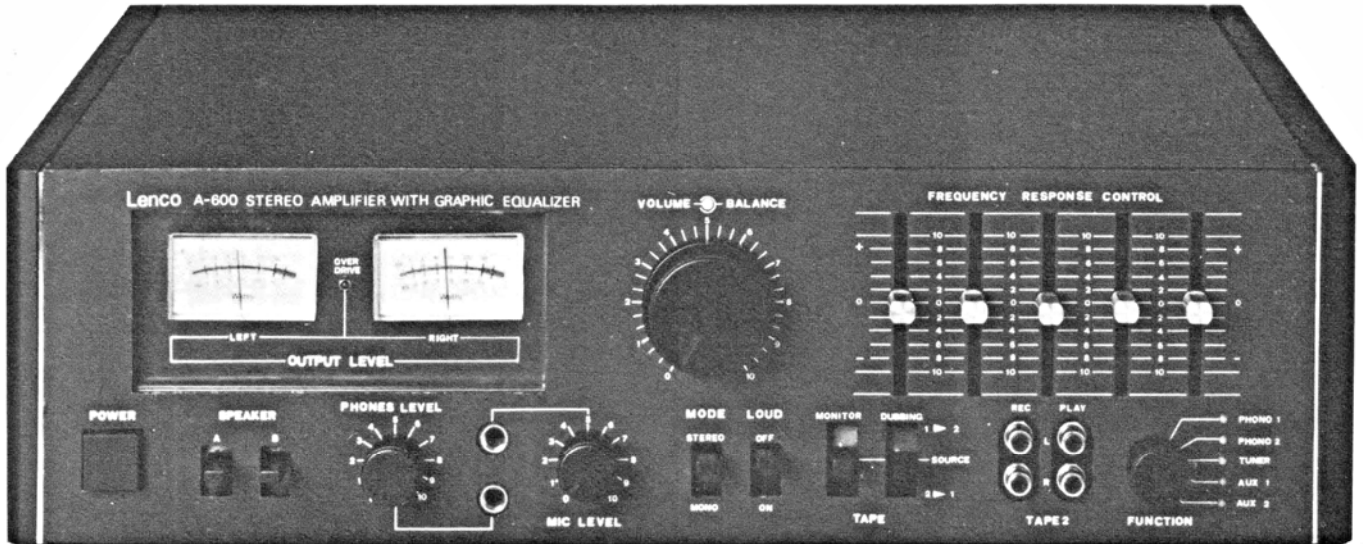


Service Instructions



Lenco

Stereo Amplifier A-600

Specifications

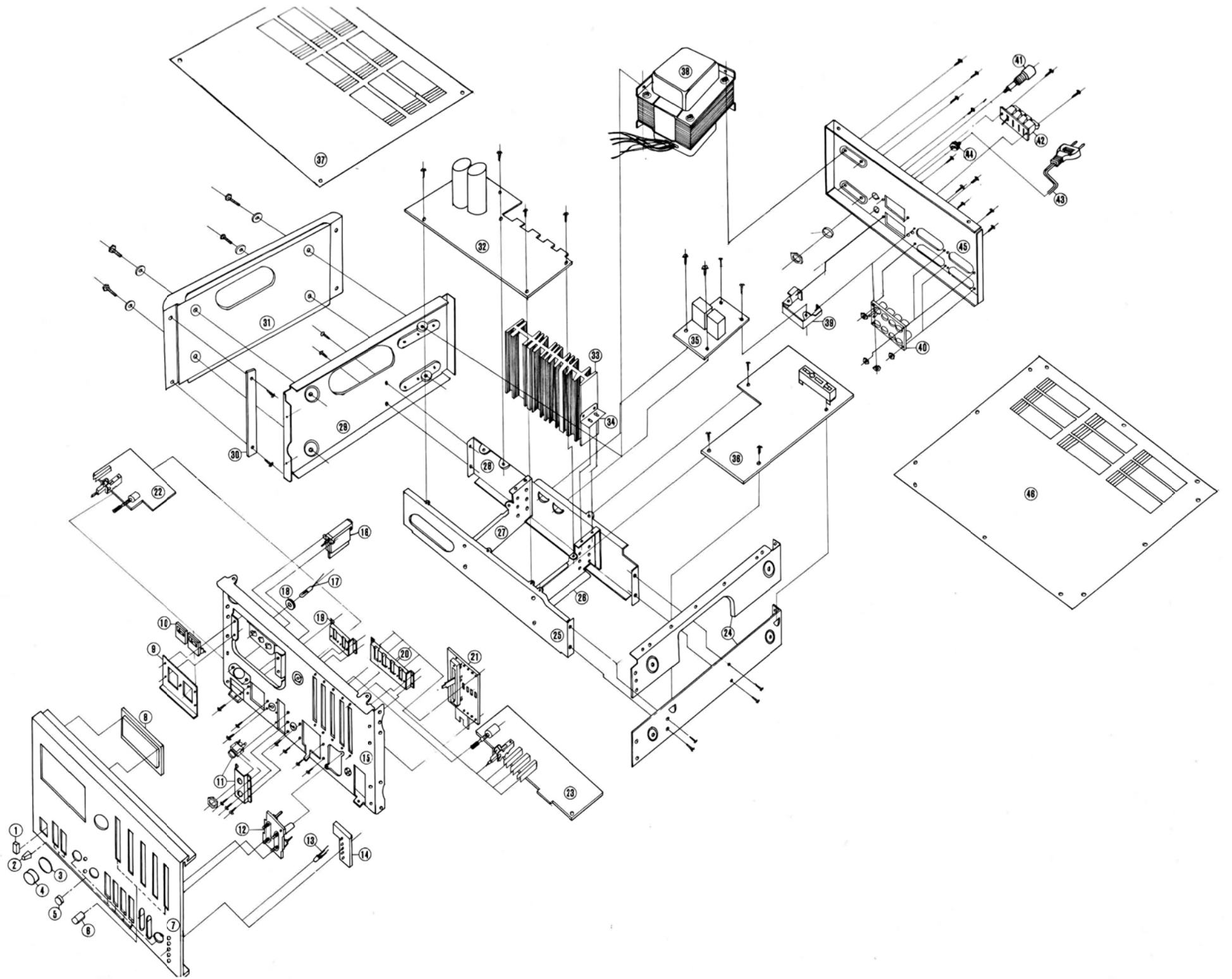
Continous Power Output	2×52 W, 8 Ω 2×66 W, 4 Ω	Signal to Noise Ratio (Din weighted)	
Total Harmonic Distortion at 1 W	0.05 %	— Phono	58 dB
Power Bandwidth	20—25,000 Hz	— Mic	55 dB
Frequency Response	10—40,000 Hz	— Aux	60 dB
Damping Factor	60	Input Overload, Phono	150 mV
Input Sensitivity		Tone Control (Graphic Equalizer)	40 Hz 250 Hz 1 kHz ±10 dB 5 kHz 15 kHz
— Phono	2 mV, 47 kΩ	Loudness	100 Hz +6 dB 10 Hz +4 dB
— Mic	2.5 mV, 47 kΩ	Dimensions	462×130×325 mm (L×H×B)
— Aux	150 mV, 470 kΩ	Weight	13.3 kg (approx.)
— Tape	150 mV, 470 kΩ		
Cross talk	60 dB (1 kHz) 50 dB (10 kHz)		

Level Meter Alignments

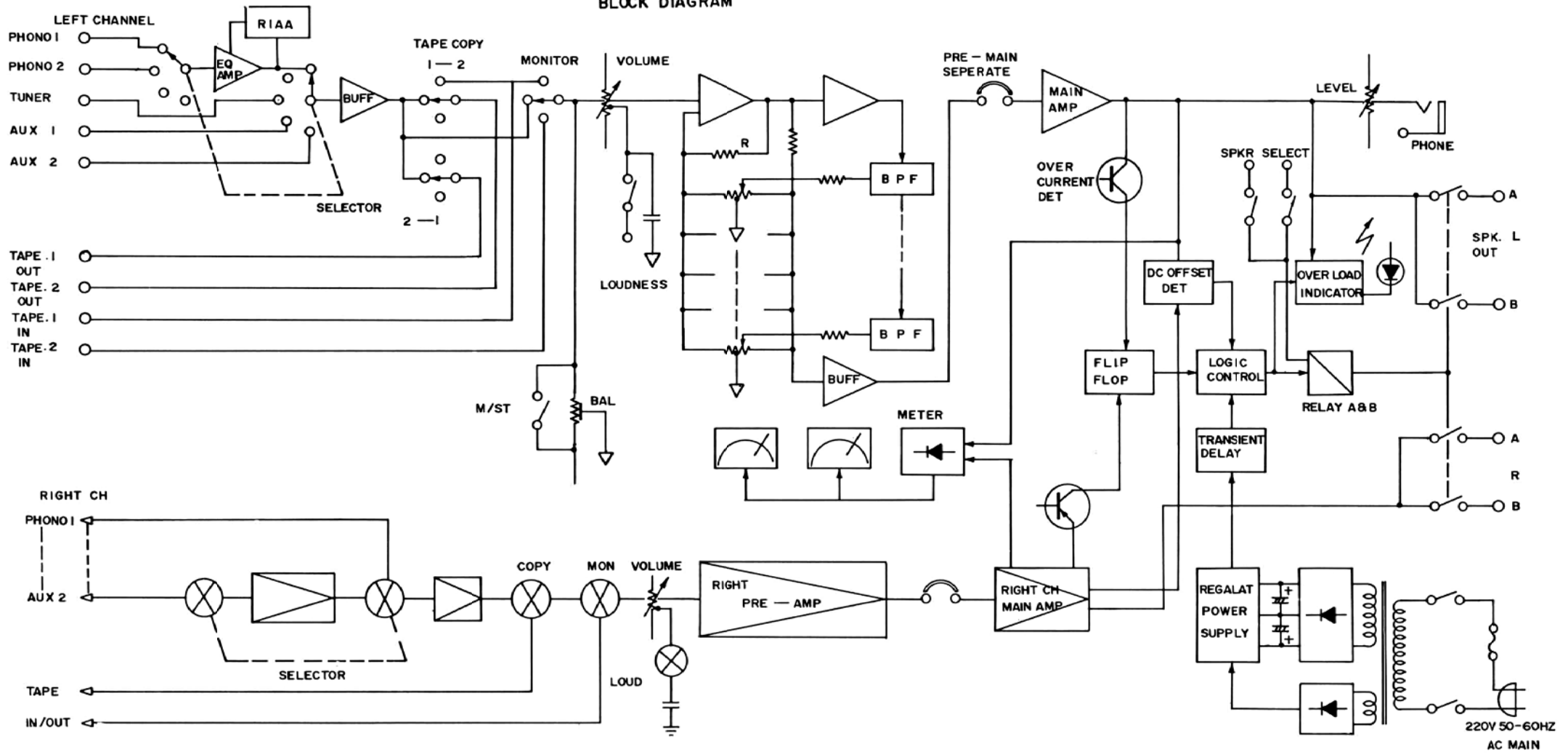
1. Set the Function Switch to Aux.
2. Connect Audio Generator to Aux input.
3. Set the Audio Generator to Aux input.
4. Connect AC Voltmeter at Speaker Terminal.
5. Increase the Volume Control Until Output Voltage 21.9 V.
6. Adjust VR 840 (P.C. Board, S 1315 B) so that the output VU Meter indicates 60 W.
7. Repeat 1., 2., 3., 4., 5. Steps for the other Channel.

Description of Exploded View

Ref. No.	Parts Name	Part No.	Ref. No.	Parts Name	Part No.
1	Knob Power Push	22-555	25	Bracket Master (Front)	32-170
2	Knob Lever	22-553	26	Bracket Heat Sink (R)	32-181
3	Knob Balance	22-556 B	27	Bracket Heat Sink (L)	32-182
4	Volume	22-556 A	28	Bracket Master (Back)	32-171
5	Control	22-552	29	Bracket Side (L)	32-168
6	Slide	22-554	30	Gap Filler	33-016
7	Front Panel	20-036	31	Side Panel (R.L.)	20-038
8	Lens	40-229	32	P.C.B.	S 1314 A
9	Meter Plate	30-015	33	Heat Sink	80-320
10	VU Meter	51-829	34	Bracket Heat Sink M.T.G. (R.L.)	32-213
11	Bracket Mic and Headphone Jack	32-180 A	35	P.C.B.	S 1316 C
12	R.C.A. Connector	51-212	36	P.C.B.	S 1316 A
13	LED 3, Red	51-708	37	Top Cover	13-029
14	P.C.B.	S 1314 C	38	Power Transformer	72-025
15	Front Chassis	10-028	39	Bracket P.C.B.	32-178
16	Power Push Switch	52-032	40	R.C.A. Connector 8 P	51-209
17	Lamp 6.3 V, 220 mA	52-703	41	Push Holder Panel Screw Type	50-412
18	Lamp Grommet	40-401	42	Speaker Terminal	52-001
19	Bracket Lever ×2	32-177	43	Kema Plug and Cord	61-301
20	Bracket Lever ×4	32-176	44	Cord Stopper SR-4N-4	60-301
21	P.C.B.	S 1316 B	45	Back Chassis	12-038
22	P.C.B.	S 1315 B	46	Bottom Cover	13-030
23	P.C.B.	S 1315 A			
24	Bracket Stiffener (R)	32-211			
	Bracket Side (R)	32-167			



BLOCK DIAGRAM



Correct Ordering of Spare Parts

When ordering spare parts please specify the complete name, part number, and the relevant page number of the service manual for each required part. By this method you will be sure to obtain the required part.

S 1314 A (Power and Supply BD)

Symbol	Description	Symbol	Description	Symbol	Description	
Resistors			Transistors			
R 101	4.7 kΩ ±5 % 0.25 W	R 168	1 kΩ ±5 % 0.25 W	Q 101	2SA661	
R 102	4.7 kΩ ±5 % 0.25 W	R 169	330 kΩ ±5 % 0.25 W	Q 102	2SC733	
R 103	10 kΩ ±5 % 0.25 W	R 170	10 kΩ ±5 % 0.25 W	Q 103	2SC733	
R 104	10 kΩ ±5 % 0.25 W	R 171	10 kΩ ±5 % 0.25 W	Q 106	2SA495	
R 105	220 Ω ±5 % 0.5 W	R 172	330 kΩ ±5 % 0.25 W	Q 107	2SA495	
R 107	1.8 kΩ ±5 % 0.25 W	R 174	47 kΩ ±5 % 0.25 W	Q 108	2SC1000	
R 109	6.8 kΩ ±5 % 0.25 W	R 176	100 kΩ ±5 % 0.25 W	Q 109	2SC1000	
R 110	1.2 kΩ ±5 % 0.25 W	R 177	47 kΩ ±5 % 0.25 W	Q 110	2SA841	
R 111	10 kΩ ±5 % 0.25 W	R 178	47 kΩ ±5 % 0.25 W	Q 111	2SA777	
R 112	270 Ω ±5 % 0.5 W	R 179	22 kΩ ±5 % 0.25 W	Q 112	2SC1509	
R 113	2.2 kΩ ±5 % 0.25 W	R 180	22 kΩ ±5 % 0.25 W	Q 113	2SC828	
R 114	2.2 kΩ ±5 % 0.25 W	R 181	4.7 kΩ ±5 % 0.25 W	Q 114	2SC1626	
R 116	1 kΩ ±5 % 0.25 W	R 182	6.8 kΩ ±5 % 0.25 W	Q 115	2SD428	
R 118	68 kΩ ±5 % 0.25 W	R 183	3.3 kΩ ±5 % 0.25 W	Q 116	2SA816	
R 119	68 kΩ ±5 % 0.25 W			Q 117	2SB558	
R 120	10 kΩ ±5 % 0.25 W	Capacitors			Q 118	2SA561
R 121	2.2 kΩ ±5 % 0.25 W	C 101	8200 μF 50 V	Q 119	2SC1000	
R 122	3.3 kΩ ±5 % 0.25 W	C 102	8200 μF 50 V	Q 120	2SC1000	
R 123	3.3 kΩ ±5 % 0.25 W	C 103	47 μF 35 V	Q 121	2SA841	
R 124	68 kΩ ±5 % 0.25 W	C 104	10 μF 25 V	Q 122	2SC1509	
R 125	3.3 kΩ ±5 % 0.25 W	C 105	47 μF 25 V	Q 123	2SA777	
R 126	15 Ω ±5 % 0.25 W	C 106	10 μF 10 V	Q 124	2SC828	
R 127	680 Ω ±5 % 0.25 W	C 107	10 μF 25 V	Q 125	2SA816	
R 128	330 Ω ±5 % 0.25 W	C 108	47 μF 10 V	Q 126	2SB558	
R 129	2.2 kΩ ±5 % 0.25 W	C 109	1 μF 50 V	Q 127	2SC1626	
R 130	100 kΩ ±5 % 0.25 W	C 110	1 μF 50 V	Q 128	2SD428	
R 131	3.3 kΩ ±5 % 0.25 W	C 112	1 μF 50 V	Q 129	2SA561	
R 132	15 Ω ±5 % 0.25 W	C 113	22 μF 6.3 V	Q 130	2SC373	
R 133	120 Ω ±5 % 0.25 W	C 114	22 μF 6.3 V	Q 131	2SC373	
R 134	120 Ω ±5 % 0.25 W	C 115	22 μF 25 V	Q 132	2SA495	
R 135	39 Ω ±5 % 0.25 W	C 116	22 μF 25 V	Q 133	2SA777	
R 136	0.33 Ω ±5 % 2 W	C 117	1 μF 50 V	Q 134	2SC373	
R 137	0.33 Ω ±5 % 2 W	C 118	0.02 μF 50 V			
R 138	220 Ω ±5 % 0.25 W	C 119	100 μF 10 V	Inductors		
R 139	3.3 Ω ±5 % 0.5 W	C 120	470 μF 10 V	L 101	2.7 μH	
R 140	10 Ω ±5 % 1 W	C 121	0.0047 μF 100 V	L 102	2.7 μH	
R 141	1 kΩ ±5 % 0.25 W	C 122	0.0047 μF 100 V			
R 143	68 kΩ ±5 % 0.25 W	C 123	0.0047 μF 100 V	Fuses		
R 144	68 kΩ ±5 % 0.25 W	C 124	0.0047 μF 100 V	F 1	5 A	
R 145	10 kΩ ±5 % 0.25 W	C 126	20 pF 50 V	F 2	5 A	
R 146	2.2 kΩ ±5 % 0.25 W	C 127	1000 pF 50 V	F 3	0.5 A	
R 147	68 kΩ ±5 % 0.25 W	C 128	0.047 μF 50 V			
R 148	3.3 kΩ ±5 % 0.25 W	C 129	470 pF 50 V			
R 149	3.3 kΩ ±5 % 0.25 W	C 130	470 pF 50 V			
R 150	3.3 kΩ ±5 % 0.25 W	C 132	20 pF 50 V			
R 151	15 Ω ±5 % 0.25 W	C 133	1000 pF 50 V			
R 152	100 kΩ ±5 % 0.25 W	C 134	0.047 μF 50 V			
R 153	3.3 kΩ ±5 % 0.25 W	C 136	120 pF 50 V			
R 154	15 Ω ±5 % 0.25 W					
R 155	330 Ω ±5 % 0.25 W	Diodes				
R 156	2.2 kΩ ±5 % 0.25 W	D 101	30D1			
R 157	680 Ω ±5 % 0.25 W	D 102	30D1			
R 158	120 Ω ±5 % 0.25 W	D 103	30D1			
R 159	220 Ω ±5 % 0.25 W	D 104	30D1			
R 160	120 Ω ±5 % 0.25 W	D 105	1N4149 (MA 161)			
R 161	39 Ω ±5 % 0.25 W	D 106	HZ7B			
R 162	0.33 Ω ±5 % 2 W	D 107	1N4149 (MA 161)			
R 163	0.33 Ω ±5 % 2 W	D 108	1N4149 (MA 161)			
R 164	3.3 kΩ ±5 % 0.5 W	D 109	1N4149 (MA 161)			
R 165	10 kΩ ±5 % 1 W	D 110	1N4149 (MA 161)			
R 166	22 kΩ ±5 % 0.25 W	D 111	1N4149 (MA 161)			
R 167	47 kΩ ±5 % 0.25 W					

S 1315 A (Pre Amp BD)

Resistors					
R 301	10 kΩ	±5 %	0.25 W		
R 302	10 kΩ	±5 %	0.25 W		
R 304	8.2 kΩ	±5 %	0.25 W		
R 305	3.9 kΩ	±5 %	0.25 W		
R 306	3.9 kΩ	±5 %	0.25 W		
R 307	150 kΩ	±5 %	0.25 W		
R 308	150 kΩ	±5 %	0.25 W		
R 309	47 kΩ	±5 %	0.25 W		
R 310	47 kΩ	±5 %	0.25 W		
R 311	47 kΩ	±5 %	0.25 W		
R 312	47 kΩ	±5 %	0.25 W		
R 313	47 kΩ	±5 %	0.25 W		
R 314	47 kΩ	±5 %	0.25 W		
R 315	8.2 kΩ	±5 %	0.25 W		
R 316	8.2 kΩ	±5 %	0.25 W		

Symbol	Description
R 317	68 kΩ ±5 % 0.25 W
R 318	68 kΩ ±5 % 0.25 W
R 319	100 kΩ ±5 % 0.25 W
R 320	100 kΩ ±5 % 0.25 W
R 321	100 kΩ ±5 % 0.25 W
R 322	100 kΩ ±5 % 0.25 W
R 323	1 kΩ ±5 % 0.25 W
R 324	1 kΩ ±5 % 0.25 W
R 325	120 kΩ ±5 % 0.25 W
R 326	120 kΩ ±5 % 0.25 W
R 327	10 kΩ ±5 % 0.25 W
R 328	10 kΩ ±5 % 0.25 W
R 329	47 kΩ ±5 % 0.25 W
R 330	47 kΩ ±5 % 0.25 W
R 331	560 kΩ ±5 % 0.25 W
R 332	560 kΩ ±5 % 0.25 W
R 333	100 Ω ±5 % 0.25 W
R 334	100 Ω ±5 % 0.25 W
R 335	100 Ω ±5 % 0.25 W
R 336	100 Ω ±5 % 0.25 W
R 363	470 kΩ ±5 % 0.25 W
R 364	470 kΩ ±5 % 0.25 W
R 365	68 kΩ ±5 % 0.25 W
R 366	68 kΩ ±5 % 0.25 W
R 367	560 Ω ±5 % 0.25 W
R 368	560 Ω ±5 % 0.25 W
R 369	4.7 kΩ ±5 % 0.25 W
R 370	4.7 kΩ ±5 % 0.25 W
R 371	220 kΩ ±5 % 0.25 W
R 372	220 kΩ ±5 % 0.25 W
R 375	8.2 kΩ ±5 % 0.25 W
R 404	12 kΩ ±5 % 0.25 W
R 405	180 kΩ ±5 % 0.25 W
R 406	27 kΩ ±5 % 0.25 W
R 407	1 kΩ ±5 % 0.25 W
R 408	47 kΩ ±5 % 0.25 W
R 409	18 kΩ ±5 % 0.25 W
R 410	330 Ω ±5 % 0.25 W
R 411	100 kΩ ±5 % 0.25 W
R 412	2.2 kΩ ±5 % 0.25 W
R 413	56 kΩ ±5 % 0.25 W
R 414	47 kΩ ±5 % 0.25 W
R 415	6.8 kΩ ±5 % 0.25 W
R 416	47 kΩ ±5 % 0.25 W
R 417	220 kΩ ±5 % 0.25 W

Capacitors

C 301	300 pF 50 V
C 302	300 pF 50 V
C 303	0.047 μF 50 V ±5 %
C 304	0.047 μF 50 V ±5 %
C 305	2.2 μF 16 V
C 306	2.2 μF 16 V
C 307	10 μF 10 V
C 308	10 μF 10 V
C 309	10 μF 16 V
C 311	47 μF 6.3 V
C 312	10 μF 16 V
C 313	0.001 μF 50 V
C 314	47 μF 6.3 V
C 315	2.2 μF 50 V
C 316	0.001 μF 50 V
C 318	2.2 μF 50 V
C 335	10 μF 16 V
C 337	0.47 μF 50 V
C 338	10 μF 16 V
C 339	0.47 μF 50 V
C 340	10 μF 25 V
C 405	47 μF 16 V
C 406	1 μF 50 V
C 407	100 pF 50 V
C 408	0.0047 μF 50 V
C 409	0.0047 μF 50 V
C 410	68 pF 50 V

Symbol	Description
C 411	100 μF 10 V
C 412	10 μF 25 V
C 413	4.7 μF 16 V

Transistors

Q 301	2SC1681
Q 302	2SC1681
Q 303	2SA841
Q 304	2SA841
Q 305	2SA841
Q 306	2SC732
Q 307	2SC732
Q 308	2SA841
Q 309	2SC732
Q 310	2SC732
Q 311	2SC1681
Q 312	2SC1681
Q 401	2SC1681
Q 402	2SC1681
Q 403	2SA841

Potential meters

VR 301	100 kΩ B
VR 302	100 kΩ B
VR 303	100 kΩ B
VR 401	100 kA W/SW

S 1315 B (Headphone and Protection BD)

Resistors

R 801	1 kΩ ±5 % 0.5 W
R 802	150 Ω ±5 % 0.25 W
R 803	1 kΩ ±5 % 0.5 W
R 804	150 Ω ±5 % 0.25 W
R 805	1 kΩ ±5 % 0.25 W
R 806	560 kΩ ±5 % 0.25 W
R 807	1 kΩ ±5 % 0.25 W
R 808	10 kΩ ±5 % 0.25 W
R 809	10 kΩ ±5 % 0.25 W
R 810	470 kΩ ±5 % 0.25 W
R 811	3.9 kΩ ±5 % 0.25 W
R 812	33 kΩ ±5 % 0.25 W
R 813	2.2 kΩ ±5 % 0.25 W
R 814	100 Ω ±5 % 0.25 W
R 815	100 Ω ±5 % 0.25 W
R 816	2.2 kΩ ±5 % 0.25 W
R 817	470 Ω ±5 % 0.25 W
R 818	470 Ω ±5 % 0.25 W
R 819	2.2 kΩ ±5 % 0.25 W
R 820	330 kΩ ±5 % 0.25 W
R 821	330 kΩ ±5 % 0.25 W
R 822	10 kΩ ±5 % 0.25 W

Capacitors

C 801	0.01 μF 50 V
C 802	0.1 μF 50 V
C 803	4.7 μF 25 V
C 804	10 μF 50 V
C 805	0.47 μF 50 V
C 806	0.47 μF 50 V
C 807	10 μF 50 V

Diodes

D 802	1N4149 (MA 161)
D 803	1N4149 (MA 161)
D 804	1N34A
D 805	1N34A
D 806	HZ5B
D 807	HZ5B
D 808	1N34A
D 809	1N34A

Symbol Description

Potentiometers	
VR 801	1 kΩ A
VR 802	1 kΩ A

Transistors

Q 801	2SA495
Q 802	2SA495

Semifixed Resistors

VR 803	100 kΩ B
VR 804	100 kΩ B

S 1316 A (EQ and Switch BD)

Resistors

R 201	220 kΩ ±5 % 0.25 W
R 202	220 kΩ ±5 % 0.25 W
R 203	4.7 kΩ ±5 % 0.25 W
R 204	4.7 kΩ ±5 % 0.25 W
R 205	56 kΩ ±5 % 0.25 W
R 206	56 kΩ ±5 % 0.25 W
R 207	27 kΩ ±5 % 0.25 W
R 208	560 Ω ±5 % 0.25 W
R 209	560 Ω ±5 % 0.25 W
R 210	27 kΩ ±5 % 0.25 W
R 211	33 kΩ ±5 % 0.25 W
R 212	100 kΩ ±5 % 0.25 W
R 213	100 kΩ ±5 % 0.25 W
R 214	33 kΩ ±5 % 0.25 W
R 215	820 kΩ ±5 % 0.25 W
R 216	820 kΩ ±5 % 0.25 W
R 217	15 kΩ ±5 % 0.25 W
R 218	15 kΩ ±5 % 0.25 W
R 220	220 kΩ ±5 % 0.25 W
R 221	220 kΩ ±5 % 0.25 W
R 222	4.7 kΩ ±5 % 0.25 W
R 223	4.7 kΩ ±5 % 0.25 W
R 224	1.5 MΩ ±5 % 0.25 W
R 225	1.5 MΩ ±5 % 0.25 W
R 226	1.5 MΩ ±5 % 0.25 W
R 228	1.5 MΩ ±5 % 0.25 W
R 229	1.5 MΩ ±5 % 0.25 W
R 231	1.5 MΩ ±5 % 0.25 W
R 232	1 kΩ ±5 % 0.25 W
R 233	1 kΩ ±5 % 0.25 W
R 234	820 kΩ ±5 % 0.25 W
R 235	820 kΩ ±5 % 0.25 W
R 236	10 kΩ ±5 % 0.25 W
R 237	10 kΩ ±5 % 0.25 W
R 238	2.2 kΩ ±5 % 0.25 W
R 239	2.2 kΩ ±5 % 0.25 W
R 240	220 Ω ±5 % 0.25 W
R 241	470 Ω ±5 % 0.25 W
R 242	100 kΩ ±5 % 0.25 W
R 243	100 kΩ ±5 % 0.25 W

Capacitors

C 901	0.0047 μF 50 V
C 902	0.047 μF 50 V
C 201	4.7 μF 16 V
C 202	4.7 μF 16 V (T.T)
C 203	4.7 μF 16 V (T.T)
C 204	220 μF 6.3 V
C 205	220 μF 6.3 V
C 206	0.0022 μF 50 V ±5 %
C 207	0.0022 μF 50 V ±5 %
C 208	0.0082 μF 50 V ±5 %
C 209	0.0082 μF 50 V ±5 %
C 210	4.7 μF 16 V
C 211	100 μF 25 V
C 212	4.7 μF 16 V
C 213	1 μF 50 V

Symbol	Description
C 214	1 μ F 50 V
C 215	4.7 μ F 50 V
C 216	4.7 μ F 50 V

Transistors

Q 201	2SC1681
Q 202	2SC1681
C 203	2SA841
Q 204	2SA841
Q 205	2SC1681
Q 206	2SC1681

**S 1316 B
(5 Step Control BD)**

Resistors

R 337	5.6 k Ω	$\pm 5\%$	0.25 W
R 338	100 Ω	$\pm 5\%$	0.25 W
R 339	100 Ω	$\pm 5\%$	0.25 W
R 340	5.6 k Ω	$\pm 5\%$	0.25 W
R 341	47 k Ω	$\pm 5\%$	0.25 W
R 342	47 k Ω	$\pm 5\%$	0.25 W
R 343	100 Ω	$\pm 5\%$	0.25 W
R 344	100 Ω	$\pm 5\%$	0.25 W
R 345	5.6 k Ω	$\pm 5\%$	0.25 W
R 346	5.6 k Ω	$\pm 5\%$	0.25 W
R 347	47 k Ω	$\pm 5\%$	0.25 W
R 348	47 k Ω	$\pm 5\%$	0.25 W
R 349	390 Ω	$\pm 5\%$	0.25 W
R 350	390 Ω	$\pm 5\%$	0.25 W

Symbol	Description
R 351	5.6 k Ω $\pm 5\%$ 0.25 W
R 352	5.6 k Ω $\pm 5\%$ 0.25 W
R 353	47 k Ω $\pm 5\%$ 0.25 W
R 354	47 k Ω $\pm 5\%$ 0.25 W
R 355	5.6 k Ω $\pm 5\%$ 0.25 W
R 356	5.6 k Ω $\pm 5\%$ 0.25 W
R 357	47 k Ω $\pm 5\%$ 0.25 W
R 358	47 k Ω $\pm 5\%$ 0.25 W
R 359	5.6 k Ω $\pm 5\%$ 0.25 W
R 360	5.6 k Ω $\pm 5\%$ 0.25 W
R 361	47 k Ω $\pm 5\%$ 0.25 W
R 362	47 k Ω $\pm 5\%$ 0.25 W

Capacitors

C 317	0.68 μ F 35 V (T.T)
C 319	0.1 μ F 35 V (T.T)
C 320	0.68 μ F 35 V (T.T)
C 321	0.1 μ F 35 V (T.T)
C 322	0.1 μ F 35 V (T.T)
C 323	0.012 μ F 50 V $\pm 5\%$
C 324	0.1 μ F 35 V (T.T)
C 325	0.027 μ F 50 V $\pm 5\%$
C 326	0.012 μ F 50 V $\pm 5\%$
C 327	0.0033 μ F
C 328	0.027 μ F
C 329	340 pF
C 330	0.0033 μ F
C 331	560 pF
C 332	0.0033 μ F
C 333	180 pF
C 334	560 pF

Symbol	Description
C 336	560 pF
C 340	0.0033 μ F
C 341	180 pF

Potentiometer

VR 304	50 k Ω B
VR 305	50 k Ω B
VR 306	50 k Ω B
VR 307	50 k Ω B
VR 308	50 k Ω B
VR 309	50 k Ω B
VR 310	50 k Ω B
VR 311	50 k Ω B
VR 312	50 k Ω B
VR 313	50 k Ω B

S 1316 C (Relay BD)

Diodes

D 901	1N4149 (MA 161)
D 902	1N4149 (MA 161)

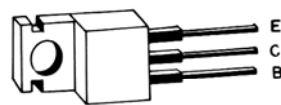
Resistors

R 901	390 Ω $\pm 5\%$ 0.5 W
R 902	390 Ω $\pm 5\%$ 0.5 W

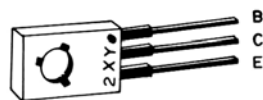
Relay

A	MAY 2 B CR-5
B	MAY 2 B CR-5

TRANSISTOR VIEW



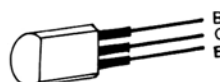
2SA816
2SC1626



2SD669
2SB649



2SA661



2SA777
2SC1509



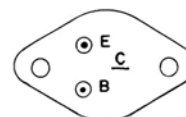
2SC828

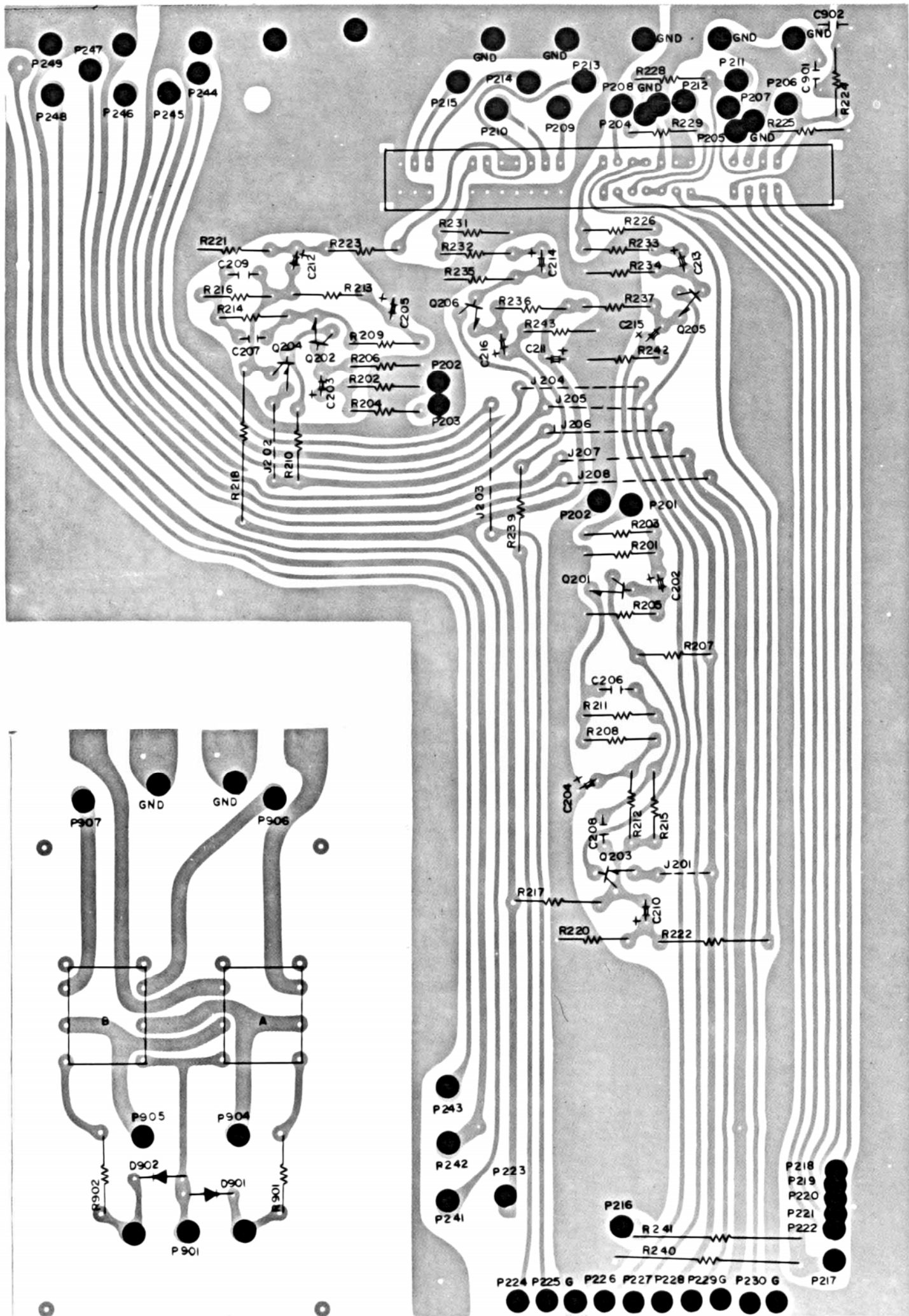


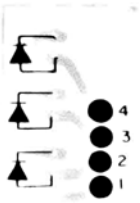
2SA495
2SA561
2SC373
2SC732
2SC733
2SC1000
2SC1681
2SA841



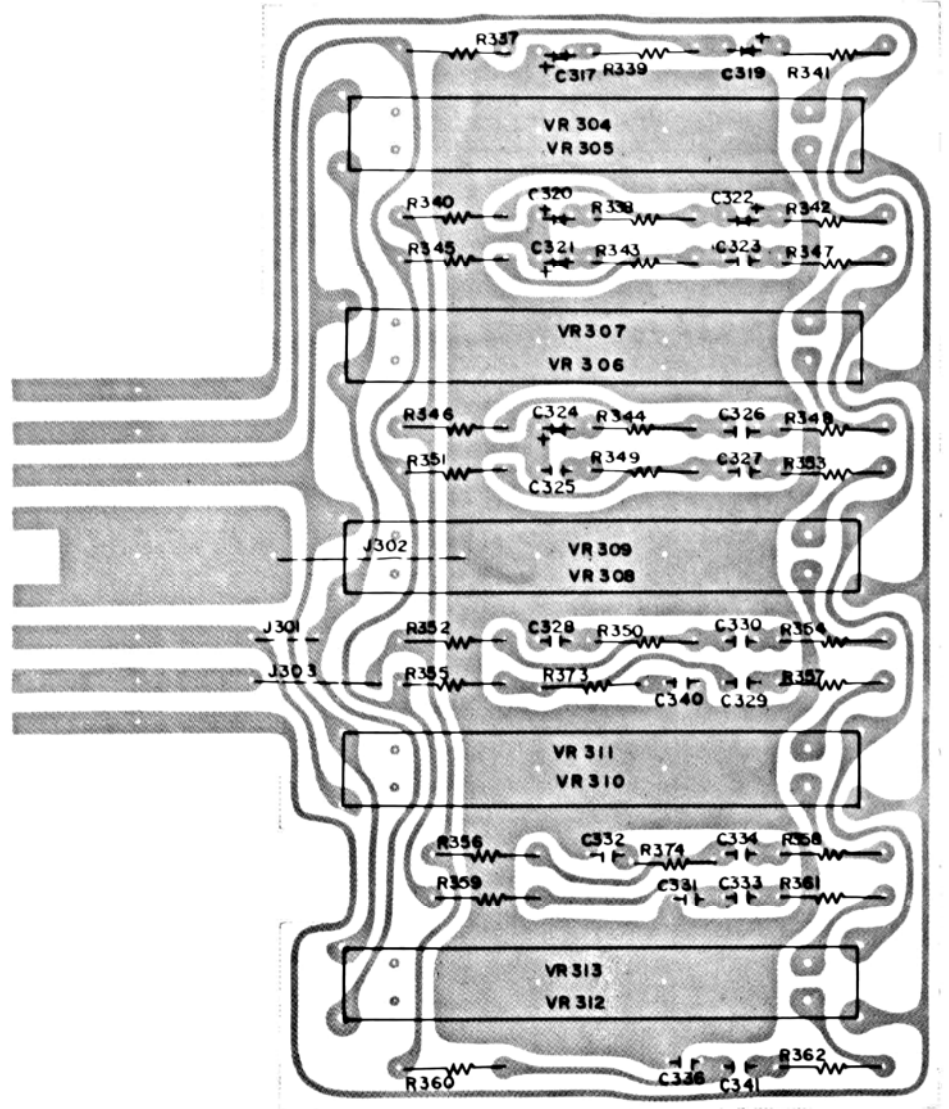
2SB558
2SD428
2SB654
2SD674



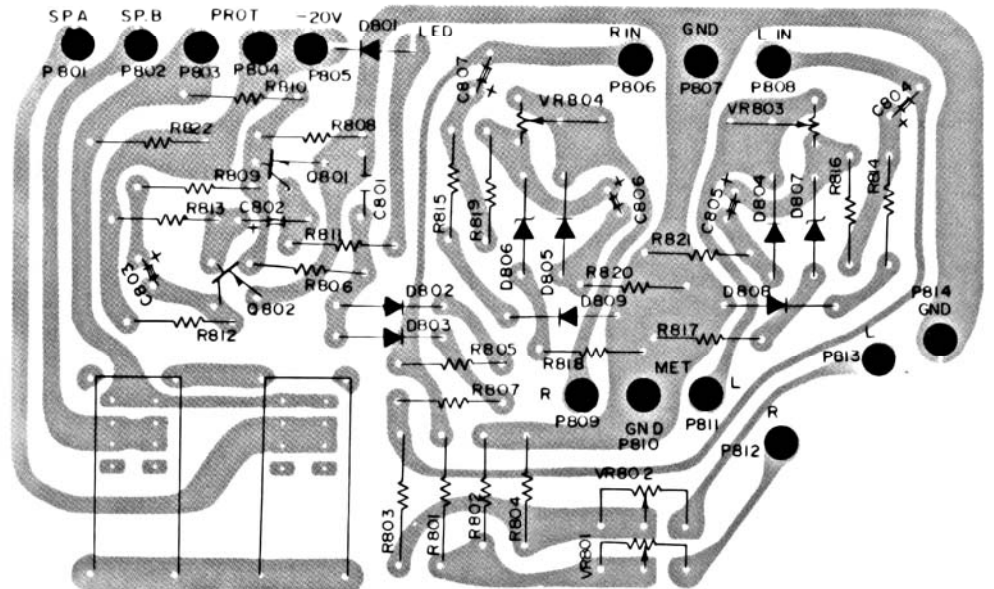




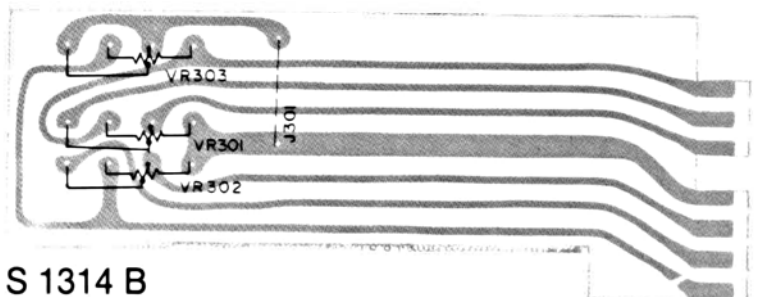
S 1314 C



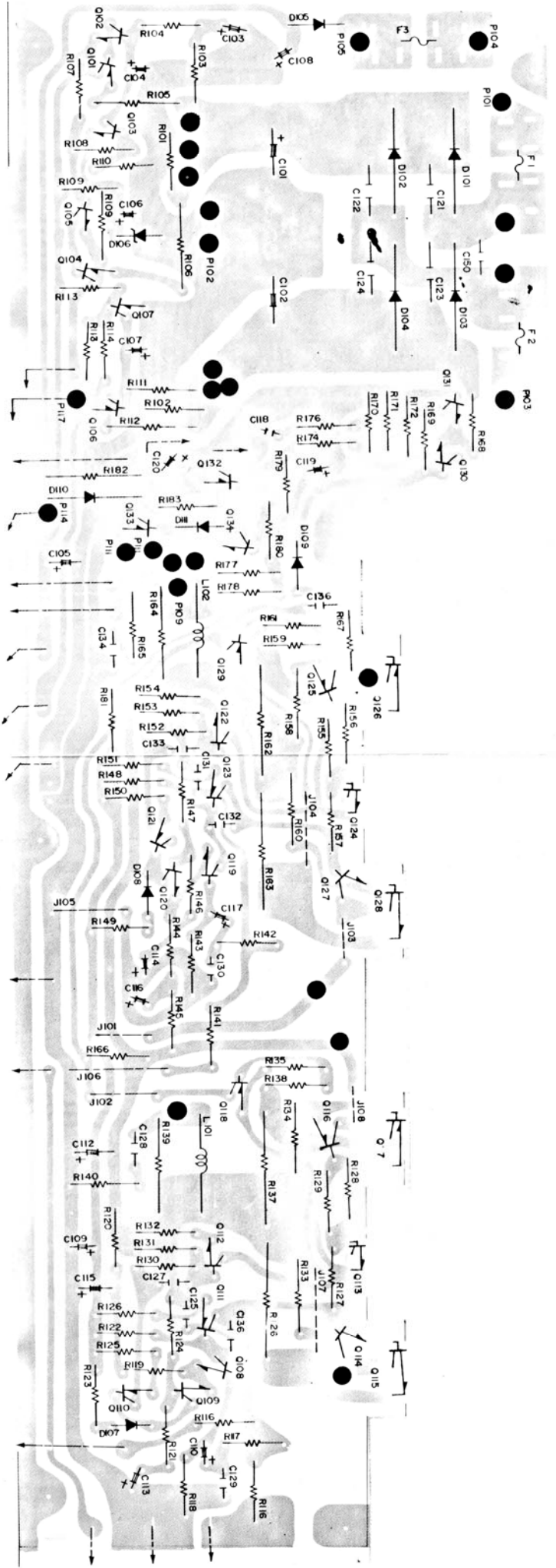
S 1316 B



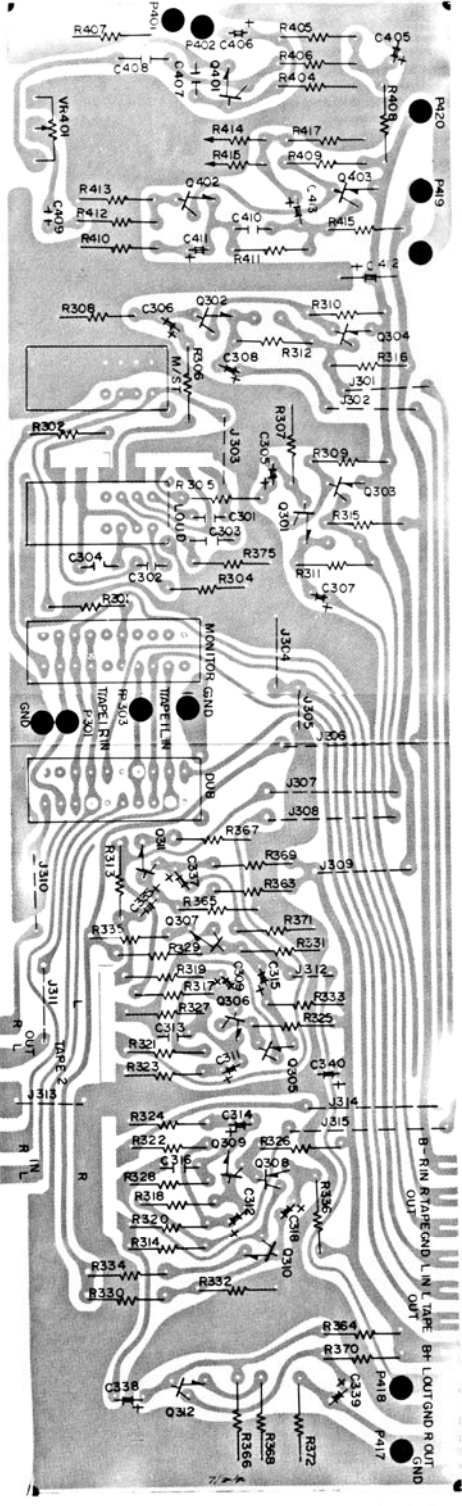
S 1315 B



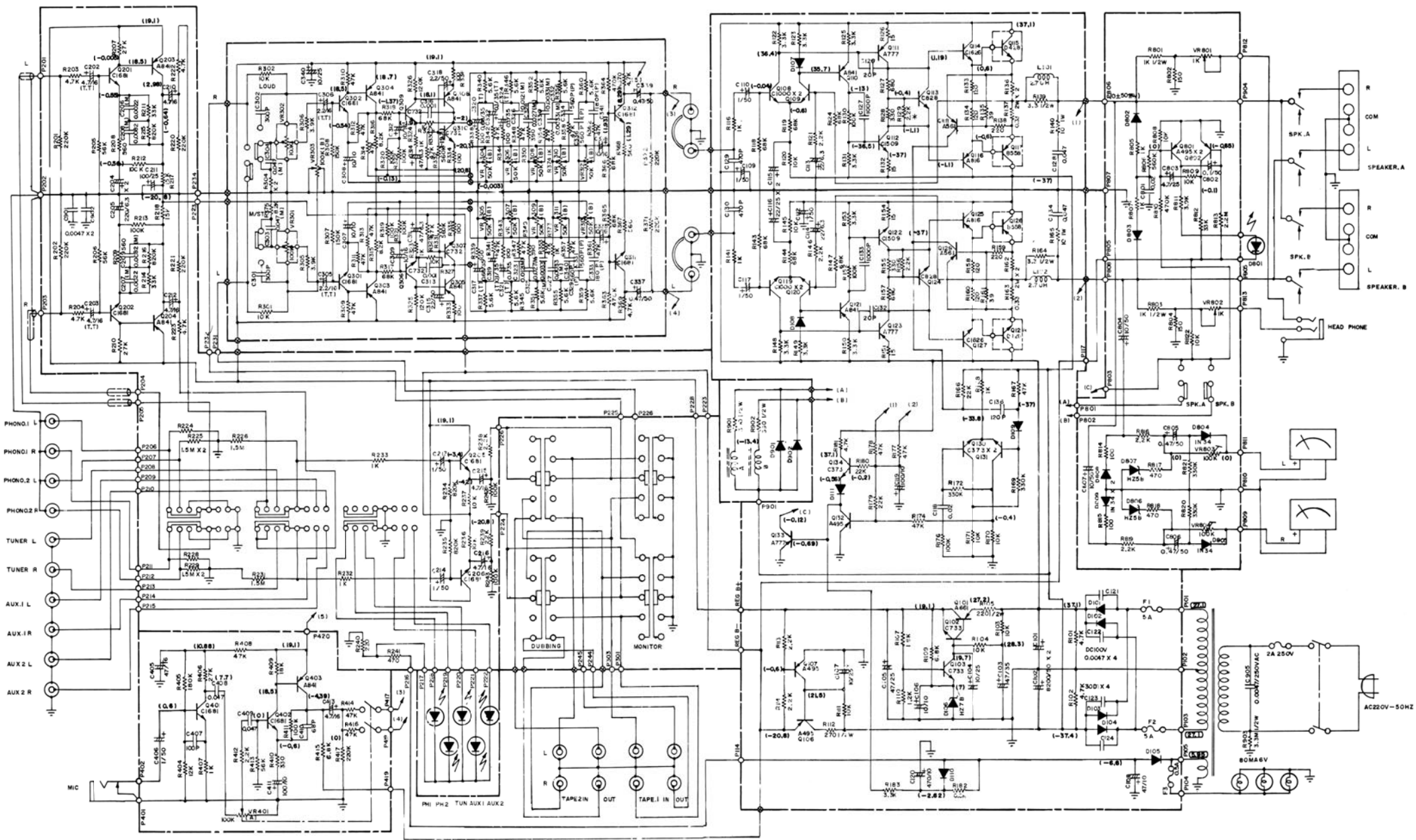
S 1314 B



S 1314 A



S 1315 A



- NOTE
1. CAPACITORS VALUES ARE IN UF UNLESS OTHERWISE NOTED P = PICO PARAD
 2. RESISTORS VALUES IN OHM K = K OHM
 3. NOTED DC VOLTAGE ARE MEASURED WITH D.V.M AT NO INPUT SIGNAL
 4. ALL THE DIODES ARE IN-4149 UNLESS OTHERWISE NOTED
 5. DC OR AC VOLTAGES ARE MEASURED WITH DIGITAL VOLTMETER AT NO INPUT SIGNAL
- ALL FUNCTIONS ARE FLAT, NORMAL, SPEAKER A SWITCH ON FUNCTION SWITCH AUX 2
- DC ()
AC ()

AMPLIFIER SCHEMATIC DIAGRAM		DRW S Y PARK D.S.N C.H.K	SEOUMELECTRONIC.CO.,LTD SEOUL KORA
MODEL A - 600			FINISH 1978. 12. 6

WIRING DIAGRAM

